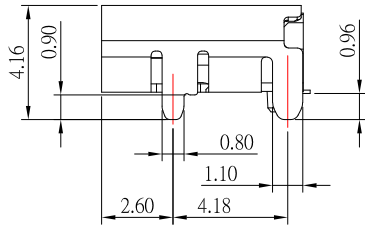
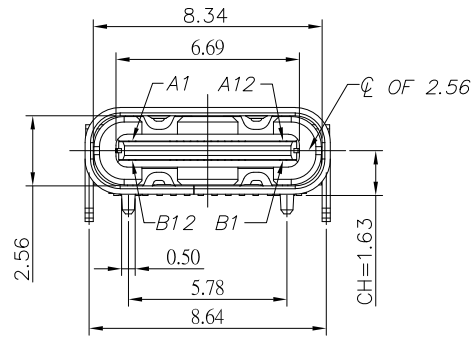


IEC:62680-1-3

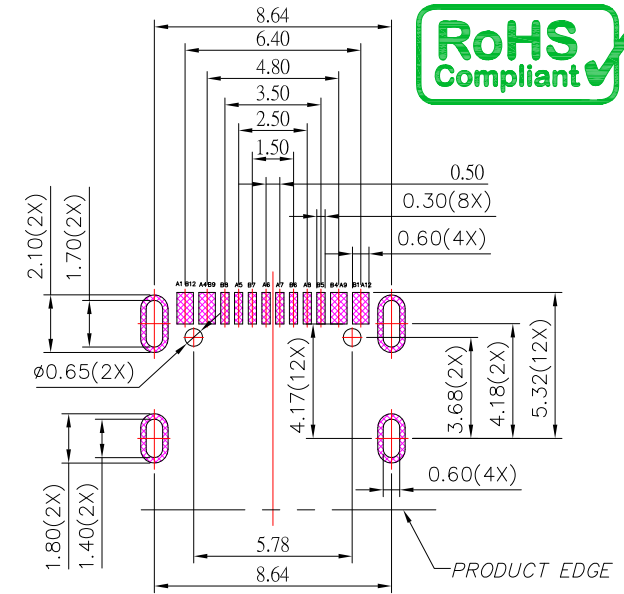
TID:10454



SBC-160S1UH-20x-S331

鍍層厚度:

Blank : 1u"
2 : 15u"
3 : 30u"



RECOMMENDED P.C.B. LAYOUT

SPECIFICATIONS

Electrical:

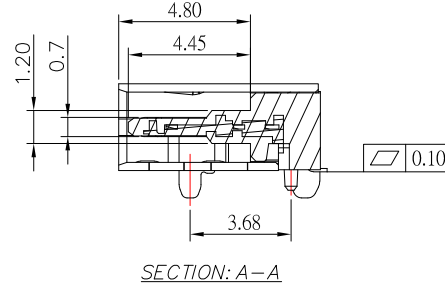
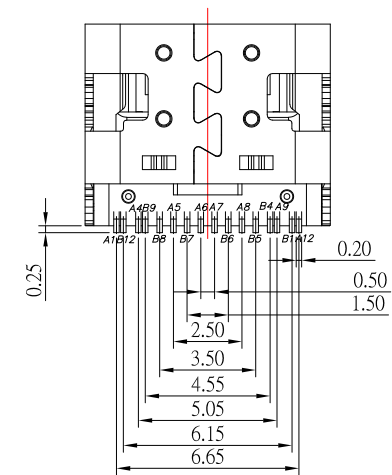
1. Rating: 5.0V , 5.0A
2. Dielectric Withstand Voltage: 100V AC
3. Contact Resistance: 40 mΩ Max
4. Insulation Resistance: 100 MΩ Min

Material:

1. Housing: PA9T
2. Contact: C18150
3. Shell: SUS

Finish:

1. Contact: Plated Gold in Mating Area ;
Gold Plated on Solder Balls ;
Nickel under plated overall
2. Shell: Nickel under Plated surface layer



USB TYPE-C PIN ASSIGNMENTS

PIN NUMBER	SIGNAL NAME	PIN NUMBER	SIGNAL NAME
A1	GND	B12	GND
A4	VBUS	B9	VBUS
A5	CC1	B8	SBU2
A6	Dp1	B7	Dn2
A7	Dn1	B6	Dp2
A8	SBU1	B5	CC2
A9	VBUS	B4	VBUS
A12	GND	B1	GND

CONTACT 建倚科技股份有限公司
CONTACT TECHNOLOGY CORP.

DRAWN BY:	DATE	MAT'L	TITLE	CONNECTOR
Jack Lu	01/22/24			
CHECKED BY:	DATE	FINISH	MODLE	USB TYPE C 2.0 板上型有彈片 外殼腳長0.96 高導電銅
Jacky Chen	01/22/24			
APPROVED BY:	DATE	SCALE	DWG NO.	SBC-160S1UH-20x-S331
Tony Kao	01/22/24	1 : 1		
		SHEET NO.	PART NO.	SBC-160S1UH-20x-S331
		1 of 1		

TOLERANCE UNLESS OTHERWISE STATED :	Up to 5 ±0.2	Above 5 ~ 15 ±0.3	Above 15 ~ 30 ±0.4	Above 30 ~ 50 ±0.5	Angle ±0.3	3RD. ANGEL'S	UNITS	MM
-------------------------------------	--------------	-------------------	--------------------	--------------------	------------	--------------	-------	----

2	新增認證號碼	Jack	012224
1	更新Housing材質	Jack	082323
ITEM NO.	DESCRIPTION	DRAWN	DATE